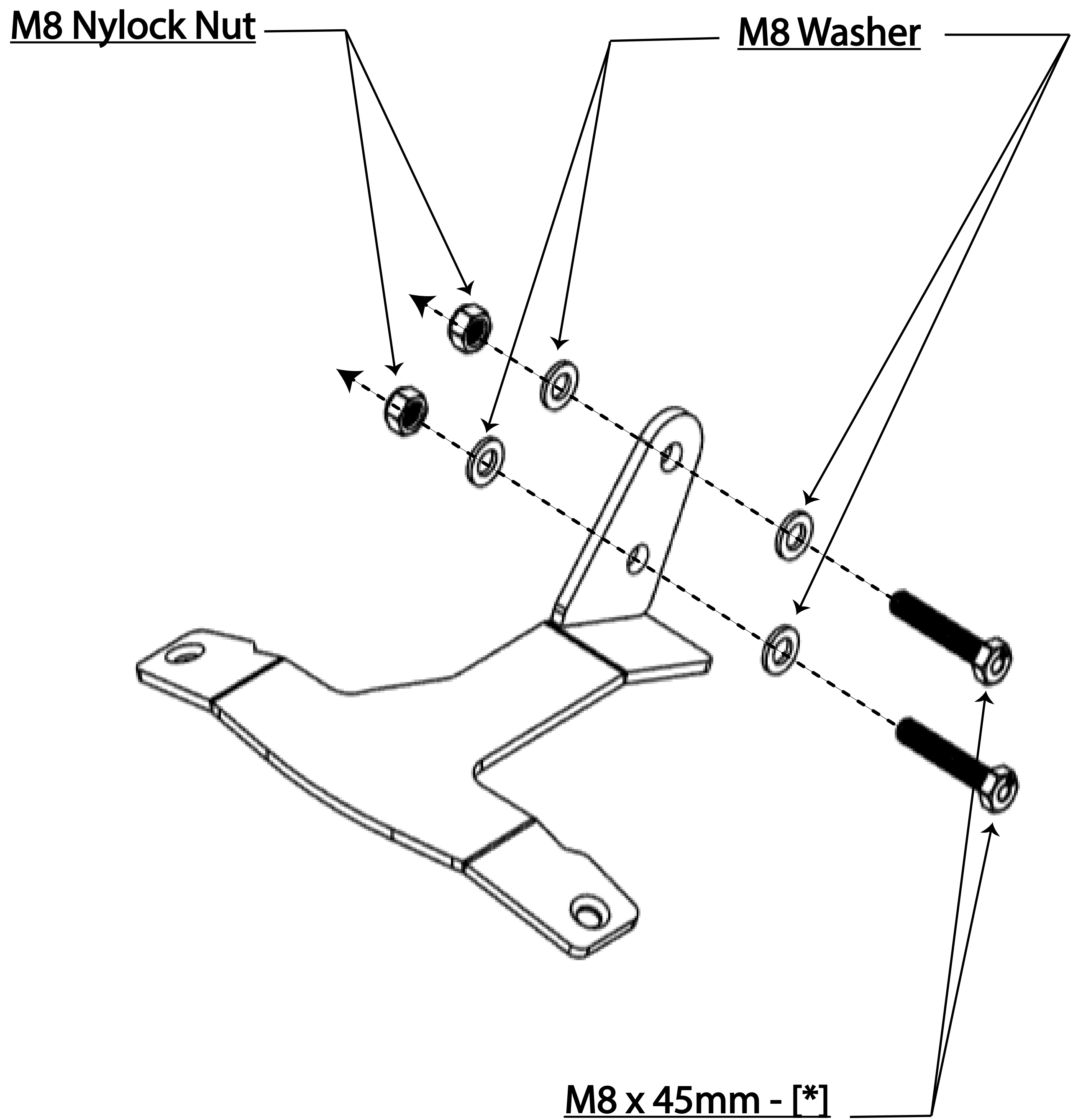




For the full installation video, please scan this QR code with your smart phone.



[*] : REFER TO OWNERS MANUAL FOR OEM TORQUE SPECIFICATIONS

